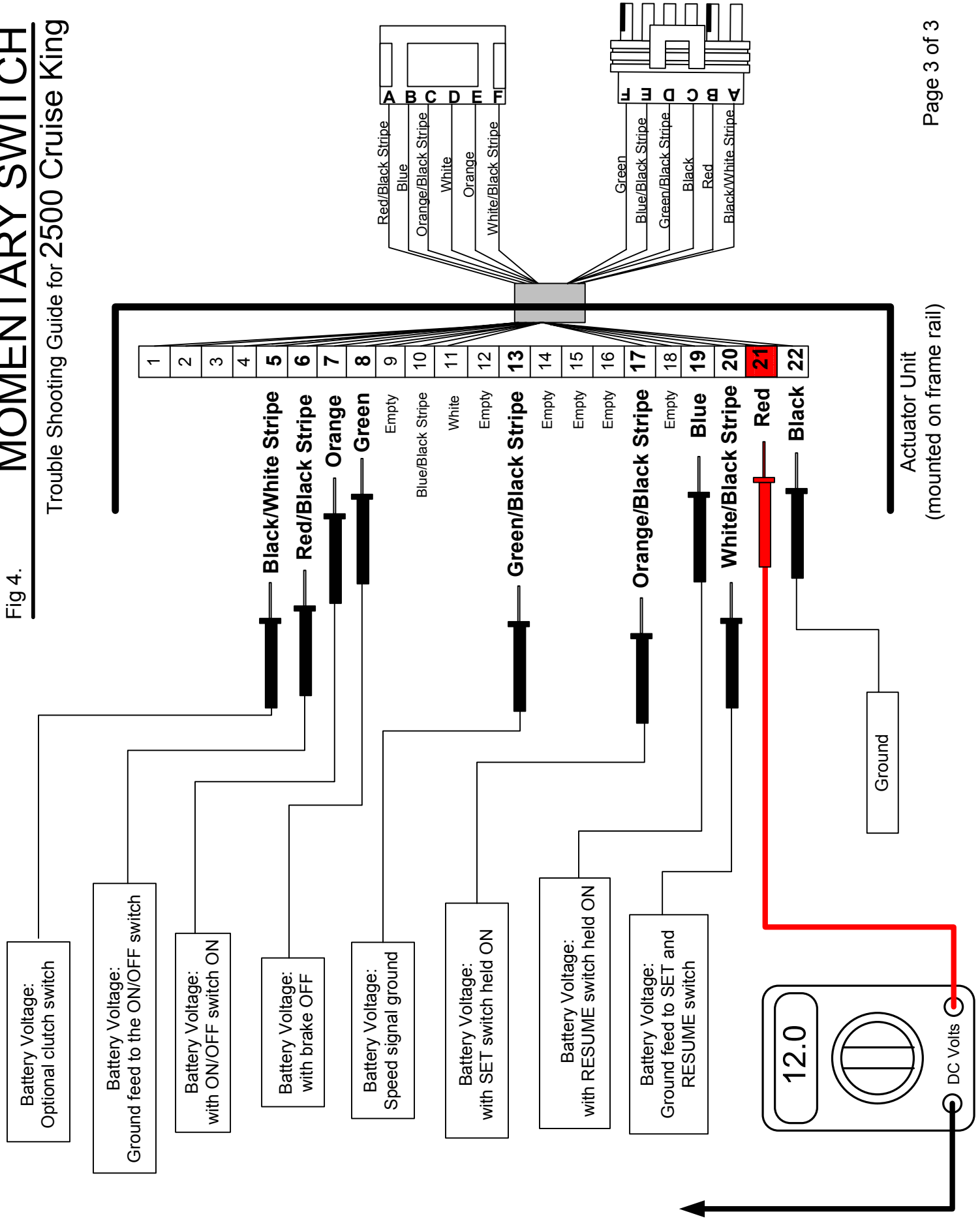


MOMENTARY SWITCH

Trouble Shooting Guide for 2500 Cruise King

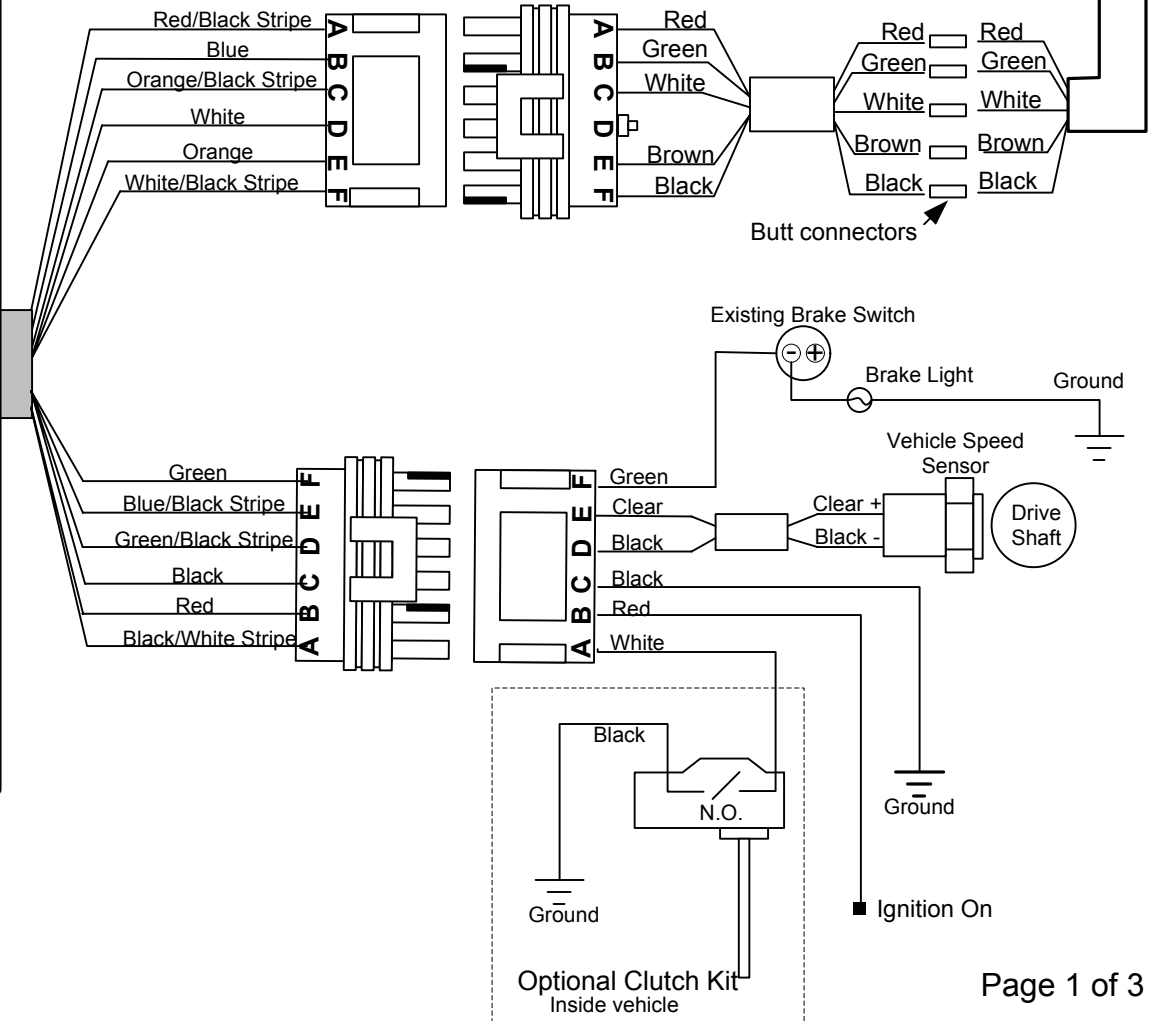
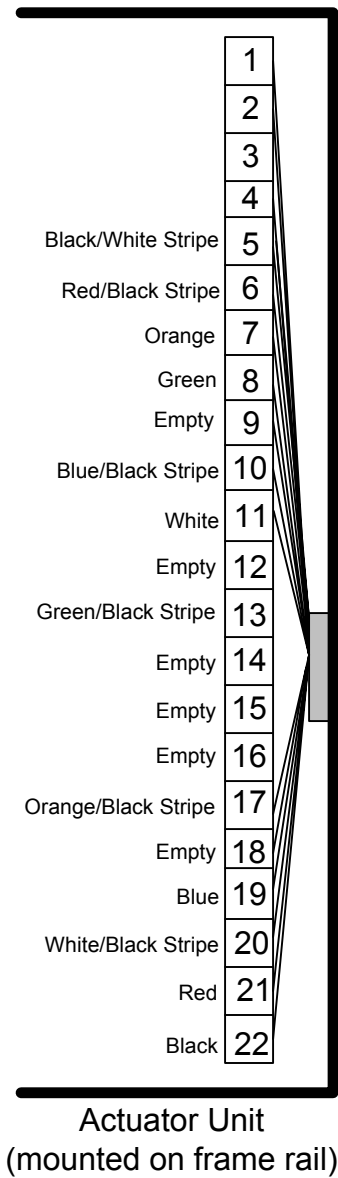
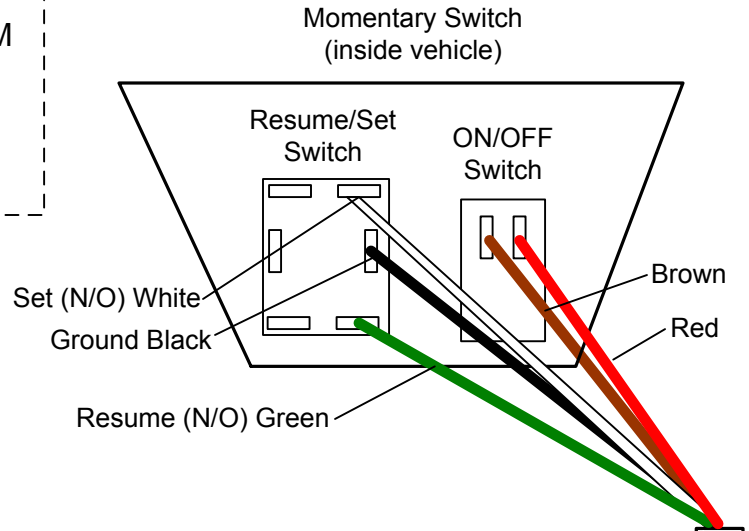
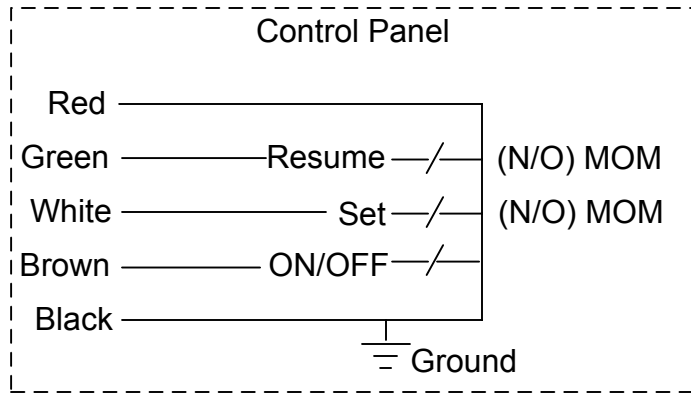
Fig 4.



Electrical Schematic

MOMENTARY SWITCH

Trouble Shooting Guide for 2500 Cruise King



MOMENTARY SWITCH

Trouble Shooting Guide for 2500 Cruise King

To locate a bad connection that prevents the cruise control from working properly, do the following:

1. Remove 6 screws and washers and take the cover off the actuator unit. (Fig. 1)
2. If the unit is older than 1998, examine the circuit board around pins 21 and 22 of the power plug. If there are any signs of burning, discoloration, or heat damage, the actuator unit will need to be replaced. (Fig. 2)
3. Turn the key ON. (engine OFF)
4. Check for the blinking red LED on the circuit board. (Fig. 3) This indicates the board has power and ground. If it is blinking go to Step 5.

If it is NOT blinking, check for loose wires at pins 21 and 22, and make sure the plug is pushed down all the way. Check for 12 volts DC between pins 21 (+) and 22 (-).

If there are 12 volts across the pins and the power plug (Fig. 2) is making contact with the circuit board, the actuator needs to be replaced.

If there are not 12 volts, keep red probe on pin 21 and put black probe on chassis ground. If there is still no voltage, 12 volt source to actuator is bad. (check for bad fuse or run new power source to actuator.)

If there are 12 volts, the ground to actuator is bad. Run new ground source to actuator.

If the unit still does not operate properly, continue with Step 5.

5. Anchor red probe of meter to pin 21. Use black probe to check voltages at pin locations indicated on Fig. 4. If voltage does not match indicated voltage, trace ground path back to source to locate problem.

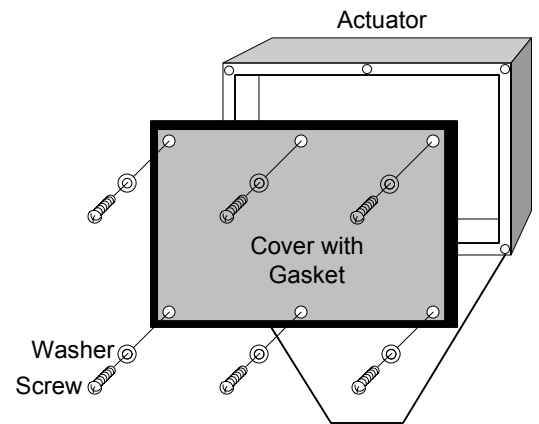


Fig 1.

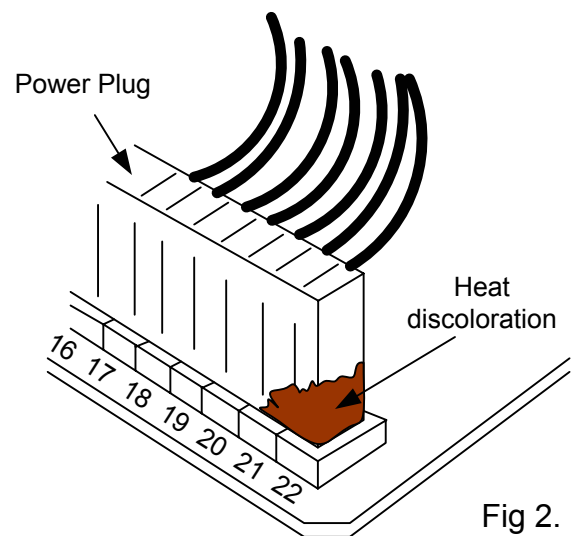


Fig 2.

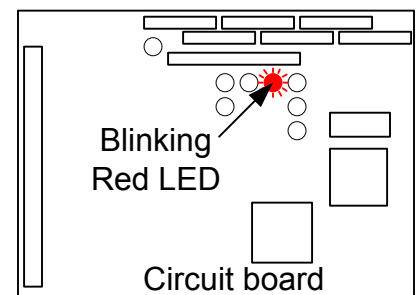


Fig 3.