



**NEVER SETTLE.**



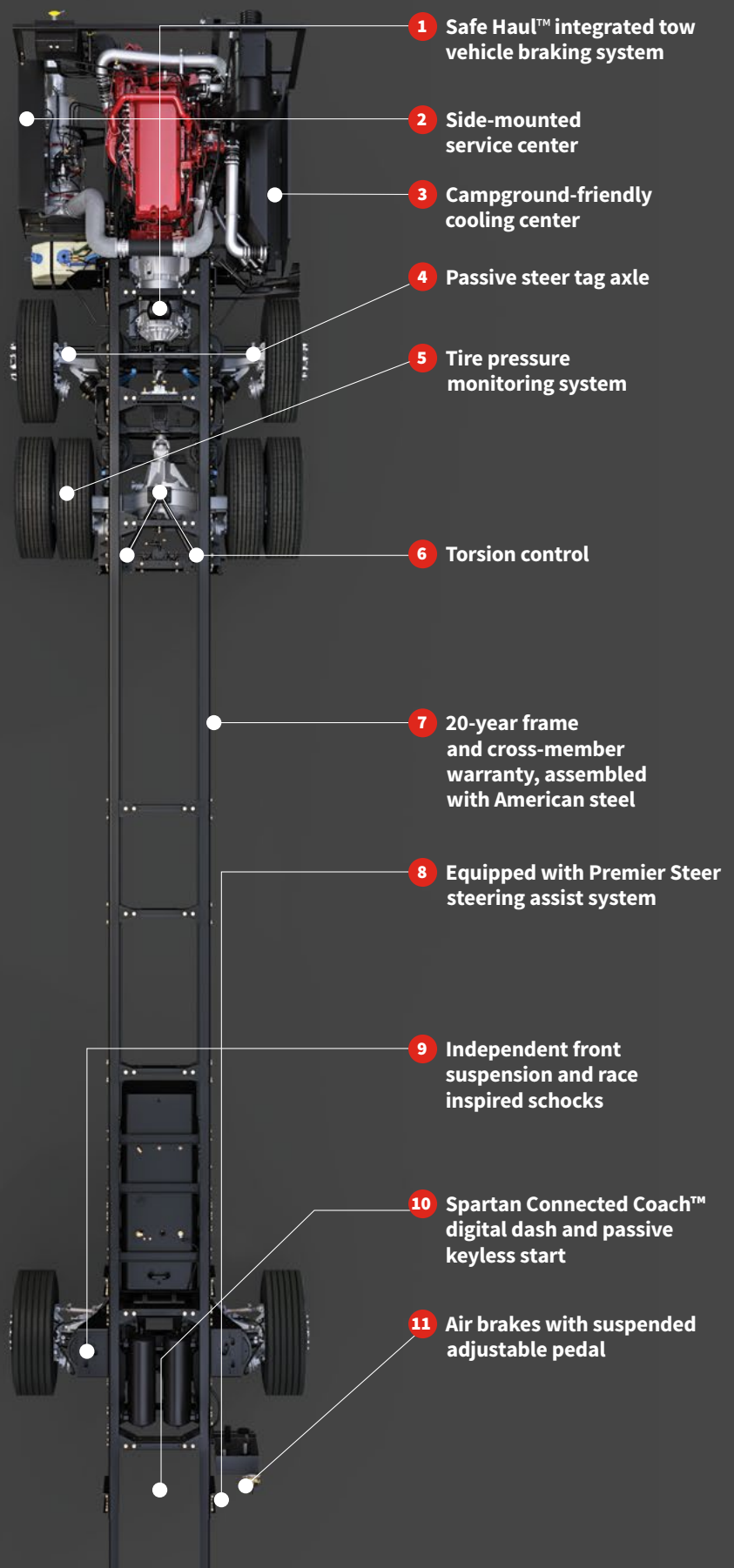
**FORETRAVEL  
MOTORCOACH**

**2022**

[SPARTANRVCHASSIS.COM](http://SPARTANRVCHASSIS.COM)

# THE PREMIER FOUNDATION.

At the bottom of it all is the Spartan RV chassis, made from the finest materials and engineered to give your luxury coach a safe, smooth, and reliable ride. Spartan has the features and components that give you confidence from the road up.



**Note:** Some features available as optional content on specific OEM models (could vary by model year).



**The only chassis made exclusively for motorhomes.**

Our partners at Foretravel wanted an unmatched ride as smooth and quiet as it was invigorating and well-appointed. The K4 605 chassis was custom-built from the ground up to meet this demand. Designed to connect the driver to the road, the K4 605 is engineered with a trussed, torque-box frame that performs like a luxury SUV with both responsive handling and a comfortable ride.



The Foretravel Realm FS605 and Presidential Series Realm FS605 Class A coaches are built on our K4 605 Spartan RV chassis. Designed, engineered and made right here in America. Using only the finest components, we've created the premier foundation for the world's most demanding RV makers and owners.

Motorhomes riding on a Spartan RV chassis are built with longevity in mind. Our high-quality materials provide reliability and dependability, backed by nationwide service and the best warranty in the business.

**At Spartan RV Chassis, we never settle. Neither should you.**



2022 FORETRAVEL REALM FS605  
& PRESIDENTIAL SERIES REALM FS605



**Specifications:**

**Engine**

Cummins X15  
18.7 CFM Air Compressor  
1500 Watt Block Heater  
Peak HP: 605 hp @ 1800 RPM  
Peak Torque: 1,950 lb-ft @ 1200 RPM

**Transmission**

Allison 4000MH 6-Speed  
Push-Button Shift Pad  
Shift Inhibit

**Chassis Ratings**

GVWR: 54,000 lb  
Front GAWR: 20,000 lb  
Rear GAWR: 20,000 lb  
Tag GAWR: 14,000 lb  
GCWR: 74,000 lb

**Suspension**

Front: Independent front air suspension with 20,000 lb capacity  
Rear: Non-torque reactive parallelogram air suspension with 23,000 lb capacity  
Tag: Parallelogram air suspension and integrated passive steering tag axle with 14,000 lb capacity

**Bilstein Shocks**

Front: 60mm  
Rear: 46mm  
Tag: 46mm

**Brakes**

ABS: WABCO 6S/6M  
Front: Air Disc  
Drive: Air Disc  
Tag: Air Disc  
Parking: Push/Pull Knob, Brake Interlock  
Auxiliary: Three-stage Engine, Compression Brake

**Steering**

Wood Grain & Leather Smart Wheel with Integrated Phone & Radio Controls  
Column: Power Tilt and Telescoping

**Fuel System**

Fuel Tank: 200 gallon with dual side fill  
DEF Tank: 15 gallon, dual fill

**Electrical System**

Custom Modular 12v Electrical System  
Batteries: Two 950 CCA  
Alternator: 270 amp

**Cooling System**

Side-mounted radiator: parallel air flow system with low-profile radiator, charge air cooler and integrated A/C condenser utilizing a modulated engine-driven cooling fan

**Frame**

Trussed, Torque-Box Structured Frame Design for Frame Strength, Reduced Camber and Improved Storage Capacity  
Front: 14.25" x 3.5" x .31"  
Rear (Rail): 12.75" x 3.5" x .31"  
Rear (Drop): 10" x 3.5" x .38"

**Tires**

Front: Michelin XZA 365/70R22.5 LRL  
Rear: Michelin X Line Energy Z 315/80R22.5 LRL  
Tag: Michelin X Line Energy Z 315/80R22.5 LRL

**Wheels**

(6) Alcoa Dura-Bright Aluminum Wheels with Dress Kit  
(2) Steel Wheels on Inside Dual Wheels

**Wheelbase**

316"

**Premium Features:**

- "Premier Steer" Steering Assist System
- SMART Steering Wheel with Wood Grain & Leather Details with Integrated Phone & Radio Controls
- Electronic Suspension Control System with Self-Leveling Feature
- Passive Steer Tag Axle
- Cummins Connected Diagnostics™
- Spartan Connected Coach™ with 15" Display
- Tyron Multiband on Front Wheels
- Suspended Adjustable Pedals
- 20,000 lb Towing Capacity
- No Deductible, 24/7 Roadside Assistance for first 3 Years of Ownership
- 20-Year Transferable Warranty on Frame & Cross Members
- Fog-Maker Fire Suppression System for Engine Compartment

**Spartan Advanced Protection System:**

- Collision Mitigation System with Adaptive Cruise Control
- Electronic Stability Control
- Automatic Traction Control
- Spartan Safe Haul™ (Industry's only factory-chassis integrated air supply for tow vehicle brake systems)
- Forward Collision Warning (FCW)
- Lane Departure Warning (LDW)
- Pedestrian Collision Warning (PCW)
- Headway Monitoring & Warning (HMW)
- Speed Limit Indication (SLI)



**Specifications:**

**Engine**

Cummins L9  
18.7 CFM Air Compressor  
1000 Watt Block Heater  
Peak HP: 450 hp @ 2100 RPM  
Peak Torque: 1250 lb-ft @ 1400 RPM

**Transmission**

Allison 3000MH

**Chassis Ratings**

GVWR: 38,600 lb  
Front GAWR: 14,600 lb  
Rear GAWR: 24,000 lb  
GCWR: 48,600 lb

**Suspension**

Front: Independent front air suspension with 14,600 lb capacity  
Rear: Non-torque reactive parallelogram air suspension with 24,000 lb capacity

**Brakes**

ABS: WABCO 4S/4M  
Front: Air Disc  
Drive: Air Drum

**Steering**

Smart steering wheel  
Column: Tilt and Telescoping, Manual

**Fuel System**

Fuel Tank: 150 gallon, dual side fill  
DEF Tank: 15 gallon, dual fill

**Electrical System**

12v Electrical System  
Batteries: Two 950 CCA  
Alternator: 170 amp

**Cooling System**

Side-mounted radiator: parallel air flow system with low-profile radiator

**Frame**

Raised rail design for increased storage

**Tires**

Front & Rear: Michelin XZA2 295/80R225 LRH

**Wheels**

(4) Aluminum wheels with polished finish and dress kit  
(2) Steel wheels on inside duals

**Wheelbase**

228"

**Premium Features:**

- "Premier Steer" Steering Assist System
- SMART Steering Wheel with Leather Details with Integrated Phone & Radio Controls
- Electronic Suspension Control System with Self-Leveling Feature
- Spartan Connected Coach™ with 15" Display
- Tyron Multiband on Front Wheels
- Suspended Adjustable Pedals
- 10,000 lb Towing Capacity
- No Deductible, 24/7 Roadside Assistance for first 3 Years of Ownership
- 20-Year Transferable Warranty on Frame & Cross Members

**Spartan Advanced Protection System:**

- Collision Mitigation System with Adaptive Cruise Control
- Electronic Stability Control
- Automatic Traction Control
- Spartan Safe Haul™ (Industry's only factory-chassis integrated air supply for tow vehicle brake systems)
- Forward Collision Warning (FCW)
- Lane Departure Warning (LDW)
- Pedestrian Collision Warning (PCW)
- Headway Monitoring & Warning (HMW)
- Speed Limit Indication (SLI)



# SPARTAN RV CHASSIS IS HERE TO MAKE EVERY ADVENTURE WORRY FREE.

## SAFE & SOUND: 24/7 service and support is just around the corner.

Your adventures on the road don't always happen from 9 a.m. to 5 p.m. Spartan Service and Support is just a phone call or click away to make traveling stress-free. A three-year complimentary roadside assistance plan through the Coach-Net® network includes access to over 15,000 service and repair facilities throughout the U.S. and Canada, and provides towing, fuel delivery, flat tire, jump start, lockout, winching, and RV mobile mechanic services, day or night (24/7/365).

You're never far from one of hundreds of Spartan Authorized Service Centers. Where you can find licensed and insured technicians who are required to complete regular training to keep current on all Spartan chassis.

In addition, the Spartan Connected Care® mobile app puts owners in touch with on-the go access to:

- Quick links to service and support
- An integrated service center locator
- Diagnostic code search
- Key Spartan contact information
- Spartan's show and rally schedule
- Pre-trip inspection checklists
- Maintenance schedules
- Plus more!

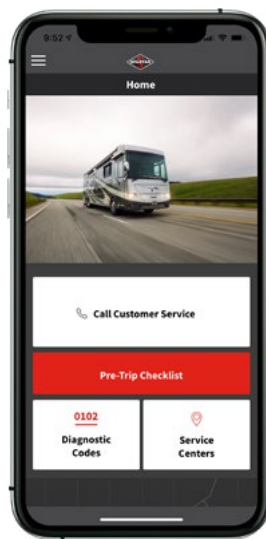
## Industry-Best Warranty

Every Spartan RV chassis built for Foretravel Motorcoach comes with a five-year/75,000-mile transferable warranty. Our chassis also include a 20-year transferable warranty on frame & cross members as well as a five-year/100,000-mile Cummins Engine warranty and an Allison Transmission five-year/200,000-mile warranty. Roadside assistance from Coach Net® is complimentary for the first three years of ownership.

[spartanrvchassis.com/service-support](http://spartanrvchassis.com/service-support)



*Spartan Connected Care®*



Download from Google Play  
or on the App Store





# ACADEMY

## KNOW THE ROAD: Spartan RV Owners Training Academy

Spartan RV Chassis offers owners an exclusive training program focusing on chassis care and maintenance.

Intimate class sizes, on-the-road driving instruction, and networking with other owners are just a few of the many highlights the Academy provides:

### Chassis troubleshooting including:

- Electrical
- Air systems
- Suspensions
- Chassis maintenance
- Weighing unit/tire pressure
- Spartan customer & product support/warranty information
- On-the-road drive time with a certified instructor
- Walk-around of coach with a qualified Spartan chassis technician
- Factory tour
- Discounts on parts & accessories

## Welcome to the Spartan RV Family

Owning a Foretravel Motorcoach on a Spartan RV chassis automatically makes you a part of Spartan RV's extended family. From a broad range of owner-exclusive training opportunities to discounts on parts and accessories for your coach, being a part of the Spartan RV network means something more.

Spartan RV encourages membership in a broad range of organizations and groups that further extend the outreach of RVing and make the pastime fun and enjoyable for all who take to the road.

To that end, Spartan RV attends a number of rallies and shows across the country to reconnect with and service its owner community. Our expert staff of engineers and parts and service personnel, are available to answer any questions you have about your Spartan RV chassis.

[spartanrvchassis.com/training](http://spartanrvchassis.com/training)

