

Table of Contents

Air Bag / Air Springs	3
<i>Air Bag Identification</i>	3
<i>Air Bag Anatomy</i>	3
<i>Suspension Bags for Foretravels</i>	4
<i>Lifting Tag Bags</i>	5
<i>How to Replace</i>	6

Air Bag / Air Springs

Air Bag Identification

To **identify an Airide spring** for replacement, find the Assembly Order Number (AON) on the label adhered to the bead plate (e.g., w01-358-9448). This number is used for ordering purposes. Do not confuse this with the stamped 8-digit bead plate number. If this is not present, look for the bellows number molded into the rubber bellows and do some cross referencing to narrow down your choices (the same bellows will be used across a number of assemblies).

There is no standard that defines the life of the bag. A lot depends on the age of your coach and the environment that it is driven and stored in. You see many people covering their tires and even their windshield wipers when parking their motorhome to protect them from ultra violet light. Our Air Ride Suspensions air bags are just as susceptible to deterioration. A visual inspection of the bags should be part of your routine. If your coach is 15 years or older, the bags could be showing signs of cracking or flaking, usually at the bottom where the bags flex the most. If they are, then it might be time to replace them.

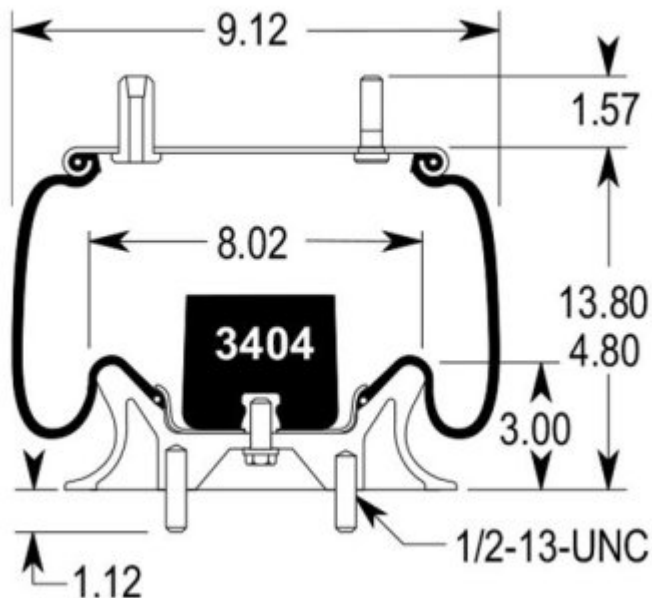
Air Bag Anatomy



[Reversible Sleeve Example](#)

1. **Stud** - A permanent part of the bead plate assembly, used to attach the air spring to the suspension.
2. **Combo Stud** - Combination mounting stud and air fitting.
3. **Blind Nut** - A permanent part of the bead plate assembly, used to attach the air spring to the suspension.
4. **Air Fitting Hole** - A tapped hole that provides an air entrance for the part.
5. **Bead Plate** - Steel plate, permanently crimped to the bellows to form an airtight assembly.
6. **Bellows** - The air spring bellows is a flexible, airtight composite of rubber and reinforced fabric, which allows the assembly to roll up and down, providing an air-cushioned spring effect within the suspension.
7. **Bumper** (Optional) - A solid, molded rubber fail-safe device used on many suspension applications. Prevents excessive damage to vehicle and suspension in the case of sudden air pressure loss.
8. **Piston** - The lower section of the 1T and 1X style of air spring made from aluminum, steel, or fiber reinforced composite. Provides lower mounting arrangement for the air spring in the form of tapped holes or studs.
9. **Piston Bolt** - Attaches the piston to the bellows assembly. Extended on the bottom of the piston, in some cases, to serve as a means of attaching the spring to the suspension.
10. **Girdle Hoop** - A ring molded into the bellows of the convoluted type air spring.

Suspension Bags for Foretravels



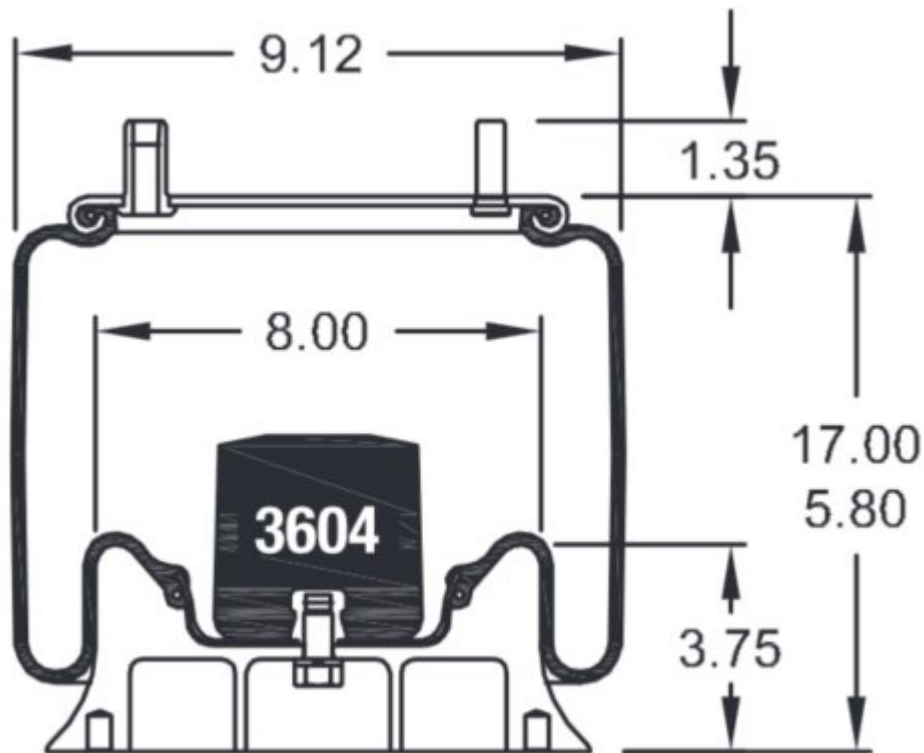
BELLOWS 1T15L2	AON W01-358-9448	C01-358-2182	19.99	Aluminum
<p>CROSS SECTION</p>	<p>BEAD PLATE TOP</p>	<p>PISTON BOTTOM</p>	<p>ORDER NO. WC1-358-0683</p> <p>APPLICATIONS: Ridewell 1003589448C Foretravel Inc. REPLACEMENT PISTON COMES WITHOUT STUDS</p>	

- Firestone Part Number: W01-358-9448
- Firestone Bellows Number: 1T15L-2
- Goodyear Part Number: 1R11-150
- Goodyear Bellows Number: 566-22-3-021

- Ridewell Number: 1003589448C
- Replaces: EL Dorado 7089E000
- Bead Top Plate: 3235 / 9" Diameter / 5.5" Stud on center
- Piston Bottom: 9659/NBD 10472 / 9.5" Diameter / 4.12 Stud on center

You could change out the bellows and save a few dollars. No matter which way you go the whole thing has to come out. That bellows is used in several applications with different end plates per individual manufacture requirements. This is not just used in F/T suspensions with these end plates. It may not be sold w/o the plates.

Lifting Tag Bags



BELLOWS 1T15L4	APN W01-358-9439	C01-358-2176	14.50	Aluminum
<p>CROSS SECTION</p>	<p>BEAD PLATE TOP</p>	<p>PISTON BOTTOM</p> <p>ORDER NO. WC1-358-0652</p>	APPLICATIONS: Waggoner's Truck Hagie Mfg.	

For the **Lifting Tag Axle**, these are the ones that hold downward pressure

- Firestone Part Number: W01-358-9439
- Firestone Bellows Number: 1T15L4
- Goodyear Part Number: 1R11-039
- Goodyear Bellows Number: 566223143
- Bead Top Plate: 3271 / 9" Diameter / 6.2" Stud on center
- Piston Bottom: 9656/NBD 10440 / 9.75" Diameter / 7.88 Stud on center

How to Replace

There are several very good threads with details on how to go about replacing the air bags. There is even a set of “loaner” tools that one member will ship to you for use, these are one of several ways to get to the “hidden” nuts (homemade tools / cut access port / cut bags / etc.) on the front passenger side airbag.



[Air Bags Replaced - 1997 U270](#)

[Another Bag Install](#)

[Air Bag Fitting](#)

[Air Bag Replacement Tips](#)

[Replacing Air Bags](#)

[Air Bag Replacement](#)

[Air Springs](#)

From:

<https://wiki.foreforums.com/> - **Foretravel Wiki**

Permanent link:

https://wiki.foreforums.com/technical:air_system:air_bags

Last update: **2025/03/03 14:21**

